



IKE Office Pro

IKE Device

Field data collection device for field services who want a device that combines laser measurement, photography, and highly accurate GPS that enables precision measurement of utility poles.

Hardware sold as annual device subscription, works with IKE Office Pro



Core Benefits



Drive down collection cost per pole



Field hardened device with long battery life to support you all day in tough conditions



Eliminate data transcription time and errors with data on one device



Capture data quickly through customization and superior field staff training



50% time savings over two man crews



You're In Good Company



Device Specifications

Height of Attachment (with IKE Office Pro)

Accuracy +/- 5cm RMS¹

GNSS

Constellations GPS / GLONASS L1/L2

Typical Horizontal

Accuracy (R95)..... Standalone 2m
 SBAS 1m
 RTK (IKE+ only)² 10cm

Typical Vertical

Accuracy (95%)..... **RTK (IKE+ only)²** 20cm

Camera

Resolution 10 Megapixels within IKE Field application
 (2808 x 3744 pixels)

Laser Range Finder

Class..... Class 1M (IEC60825-1, 3rd Ed and Complies
 with 21 CFR 1040.10 and 1040.11

Range 300m

Wavelength 905nm

Inertial Measurement Unit (IMU)

Magnetic Heading

Accuracy 2° RMS

Pitch / Roll Accuracy 0.5° RMS

System

Memory &

Data Storage 2GB DDR3 (RAM), 16 GB on-board NAND
 Flash, 32 GB micro SD Card³

Operating System..... Android™ 10

LCD Touch Screen 5" (1280x720), sunlight readable, backlit,
 touchscreen

Connectivity Wireless 802.11b/g (2.4GHz), 802.11a/n
 (5GHz), Bluetooth® 4.1 (low energy, smart)

Battery Lithium-Ion Polymer, 3.7 V, 8200mAh
 (Internal)

Operating Time, 8-10 hour battery life
 (*under typical usage)

Charging Time, 4 hours to 80%, full
 charge 6 hours

Physical

Dimensions..... 65 mm (Height) x 96 mm (Width) x 265 mm (Length)

Weight 904g/ 31.89oz

Temperature Range..... Operating: -10°C to +60°C

Storage: -10°C to +45°C

Dust, Water Resistant IP53

Ruggedized for outdoor use

Accessories

Softcase

Carry Case

AC Charger Input 100 - 240 V AC, 50 - 60 Hz; USB output: 5.0V DC, 3A

Car Charger 12V lighter plug

USB-C Cable Length 1m

Tripod Max height 59in. non-magnetic

Offset Stick Collapsible with 3' and 9' markers

Wire Gauge Plastic, 19 wire sizes

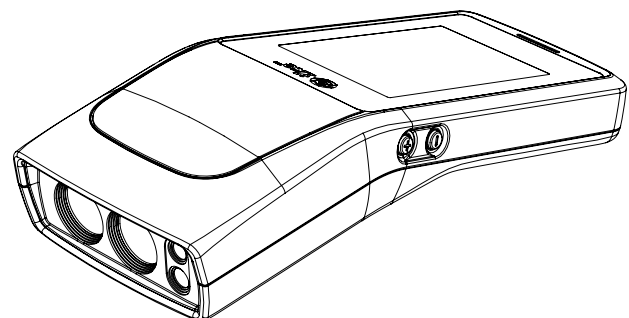
Software

Android mobile apps for field collection. Data transferred to IKE Office Pro for editing, annotation and engineering services.

¹ 50 ft vertical pole, occupying 90% of vertical camera image

² RTK connection requires data connection in the field, and RTK correction service

³ Not user accessible



Have questions? Reach out.

Sales

1-303-222-3218, ext. 2
 solutions@ikegps.com

Support

1-720-381-1634
 support@ikegps.com

Key Features

- + Sunlight readable screen
- + Battery life up to 10 hours continued use
- + Data consistency cross engineering providers, regions, and staff
- + One person field collection
- + Measurable images for complex collection requirements
- + Midspan heights and measure equipment bearing
- + Point-to-point measurements for spans and anchors
- + Measure from a safe distance
- + Easily capture reference photos and GPS locations
- + Complete kit including device, case, tripod, offset stick, gauge, chargers, adapters for wall and car
- + Use IKE Office Pro for additional measurements and data correction

Pricing

Hardware priced as an annual subscription
(must license IKE Office Pro software)



24 Million

pole photos to date

4.8 Million

unique poles in IKE Office
Pro

400,000+

high accuracy locations
captured using IKE+

Connect with IKE



Sales

1-303-222-3218, ext. 2
solutions@ikegps.com



Support

1-720-381-1634
support@ikegps.com



Visit the Website

<https://ikegps.com/ike-office/ike-field-tools/>

The PoleOS™ Company

We help our customers rise by providing a comprehensive suite of products that enable dramatic productivity benefits when working with utility poles.

IKE Solutions

[IKE Office Pro](#) / [PoleForeman](#) / [IKE Insight](#)

IKE Services

[IKE Analyze](#) / [IKE University](#)



350 Interlocken Boulevard, Suite 390
Broomfield, CO 80021
+1 303-222-3218
www.ikegps.com