

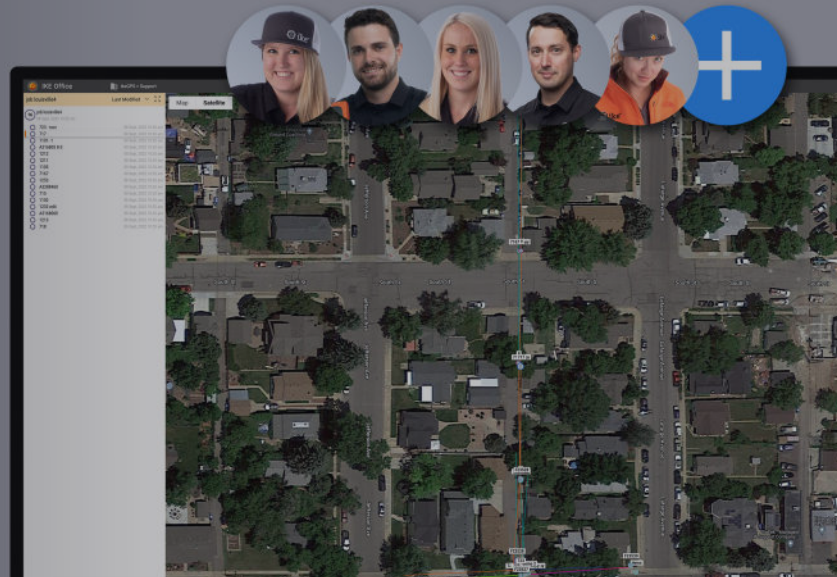


IKE Analyze

Utility pole annotating and editing service

For utility, telecom, or engineering service providers that needs on demand help, we provide high quality, quick turnaround results customized to your requirements.

You collect the data in the field and we deliver what you need for audits, make ready requirements, and permit applications.



Core Benefits



Drive more profitable projects



Scale up or down based on project needs



Standardize and automate data



Diverse industry experience

Project Use Cases

Small Cell and Fiber build out

5G deployments

Audit and inspections

You're In Good Company

METRUPNET

amdocs

PLANET NETWORKS

CORNING

CROWN CASTLE

ComEd
An Exelon Company

Terrane
Residential, Commercial & Land Use Surveying

CHR

USA COMMUNICATIONS

"IKE Analyze has delivered everything I ever asked for."

Dustin Heath

Director, Engineering Operations and CAD at CHR Solutions

How IKE Analyze Works



Collect data with the IKE device



IKE performs the analysis



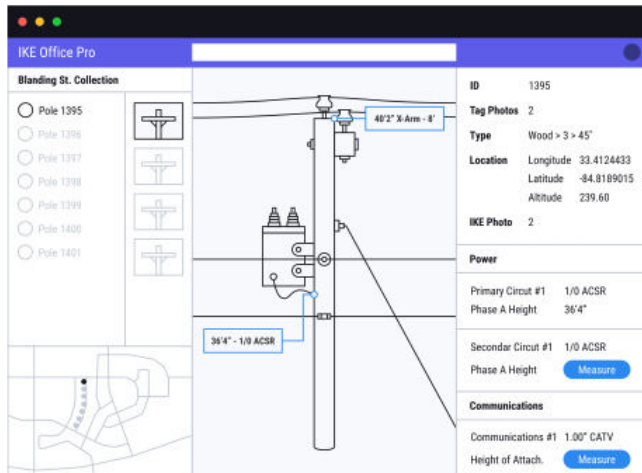
Your deliverable arrives



Deliverables that suit your project

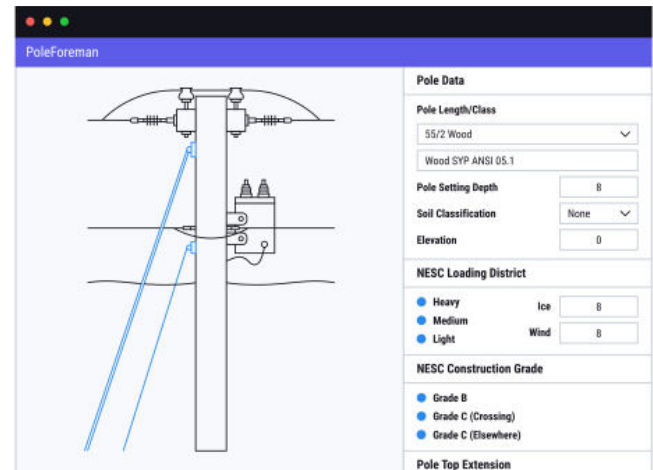
Heights of Attachment (HOA)

Records and reports for audits, site planning, and sales that include heights of attachment and basic pole information.



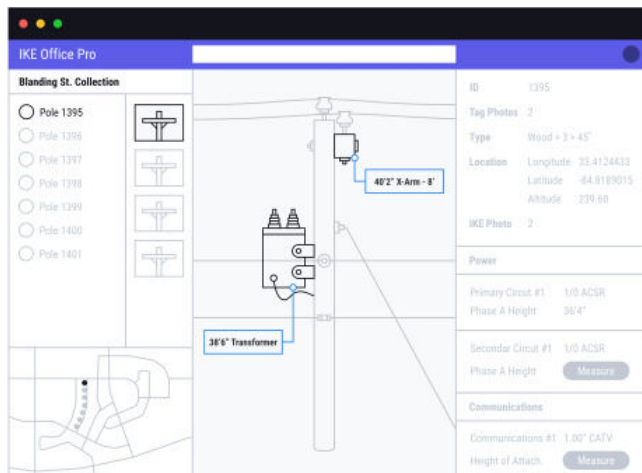
Pole Load Analysis (PLA)

IKE Analyze provides industry-standard pole records with completed PLA in PoleForeman (an IKE Structural product), O-Calc Pro, and SpidaCalc.



Make Ready Recommendations (MRR)

Leverage the full depth of IKE Analyze in a consultative partnership to give you Make Ready Recommendations.



The streamlined processes developed by IKE have enabled our team to work much more efficiently with a high degree of confidence."



Jeff Savage

P.L.S., Telecom Survey Manager,
Terrane

Key Features

- IKE experts perform back-end analysis and annotation
- 3-layer quality control process
- Records and reports for audits and site planning
- Industry-standard pole records with completed PLA available
- Consultative partnership available for make ready recommendations
- Delivers your pole data in the format you need

Pricing

Priced per pole

250,000+

poles analyzed by IKE

50%

reduction in pole recollects

35k+

MRR since 2020

Connect with IKE

Sales

1-303-222-3218, ext. 2
solutions@ikegps.com

Support

1-720-381-1634
support@ikegps.com

Need more info?

Visit the [IKE Analyze Page](#)
or [Get a Proposal](#)



329 Interlocken Parkway,
Suite 120, Broomfield, CO 80021

+1 303-222-3218

www.ikegps.com